

400 Series

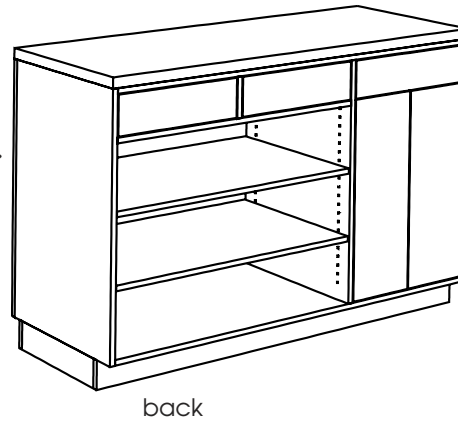
Straight Counter Units

Durable Laminate Counters.
Epoxy Drawer Guides.
Flush-mounted continuous pulls.
Includes two open adjustable shelves and one adjustable shelf behind doors.

24" D x 42" H
12", 24", 36", 48", 60" Wide

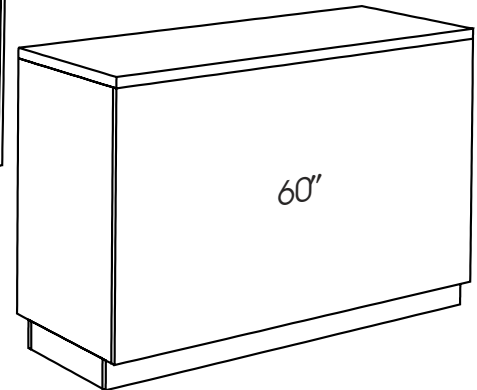
OPTIONS:

- 34" High ADA Shelf Counter
- Check-writing Counter
- Recessed Slatwall Display Front
- Recessed Wood or Glass Display Front
- Privacy Swing Gate
- Golf Ball Dispenser
- Premium countertop surface (Corian, Metal Laminate)
- Decorative Applique Moulding on front and side



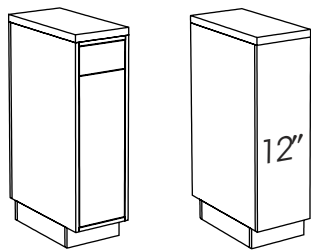
back

#X*S-0450



front

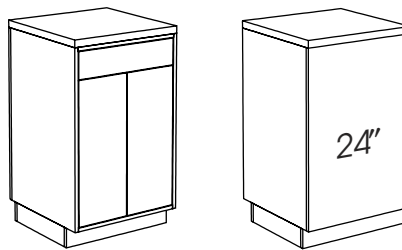
#X*S-0410



back

front

#X*S-0420



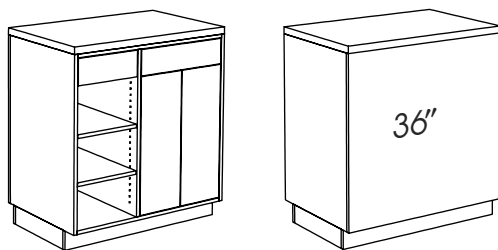
back

front

Straight Counter Unit

#X*S-0410 - 12"	\$863.00 / \$1,078.00 / \$759.00
#X*S-0420 - 24"	\$986.00 / \$1,232.00 / \$867.00
#X*S-0430 - 36"	\$1,163.00 / \$1,453.00 / \$1,023.00
#X*S-0440 - 48"	\$1,323.00 / \$1,653.00 / \$1,164.00
#X*S-0450 - 60"	\$1,545.00 / \$1,931.00 / \$1,359.00

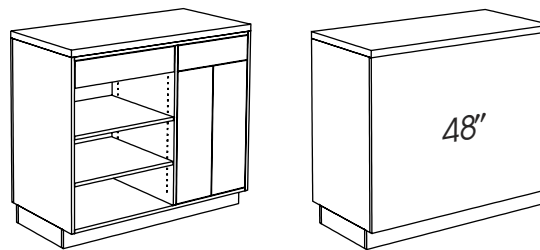
#X*S-0430



back

front

#X*S-0440



back

front



#X*S-0410 - 12" Straight Counter
24" D x 12" W x 42" H



#X*S-0440 - 48" Straight Counter
24" D x 48" W x 42" H