

400 Series

Straight Counter Corner Units

Straight Counter Corner Units are built in two pieces for easier installation. Optional one-piece unit available if installation access allows. Includes two open adjustable shelves and one adjustable shelf behind doors.

Use Straight Counter Corner Units with straight runs to create L-shape or U-shape cashwraps. Cabinets are 24" D overall: 48" D x 48" W x 42" H

OPTIONS:

- 34" High ADA Shelf Counter
- Check-writing Counter
- Recessed Slatwall Display Front
- Recessed Wood or Glass Display Front
- Privacy Swing Gate
- Golf Ball Dispenser (Straight Unit ONLY)
- Premium countertop surface (Corian, Metal Laminate)
- Decorative Applique Moulding on front and side



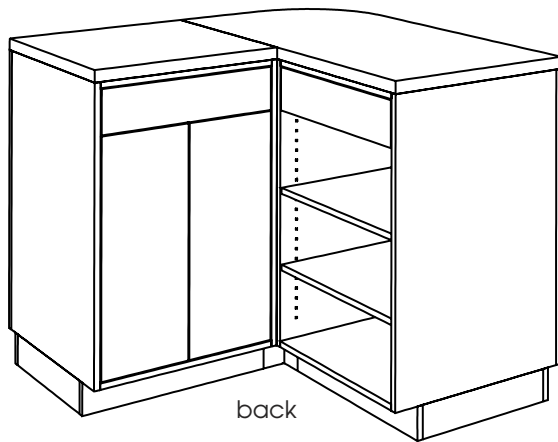
#X*S-0401 - 48" x 48" Straight Counter Corner 24" D x 42" H

Straight Counter Corner Unit

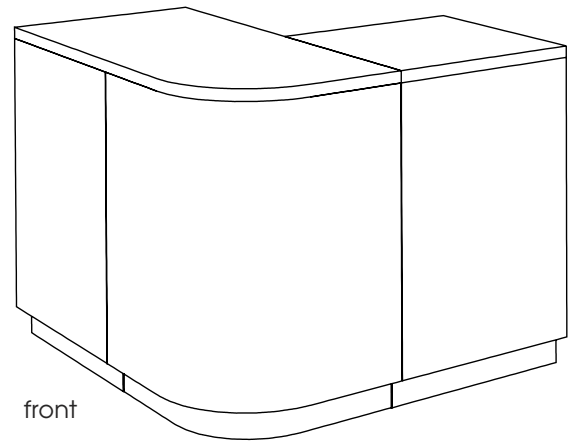
#X*S-0403 - 48" \$2,351.00 / \$2,938.00
 #X*S-0401 - 48" \$1,732.00 / \$2,165.00 / \$1,524.00

curved corner

#X*S-0403



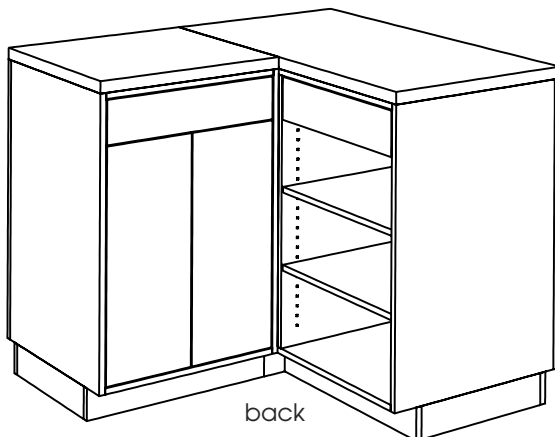
back



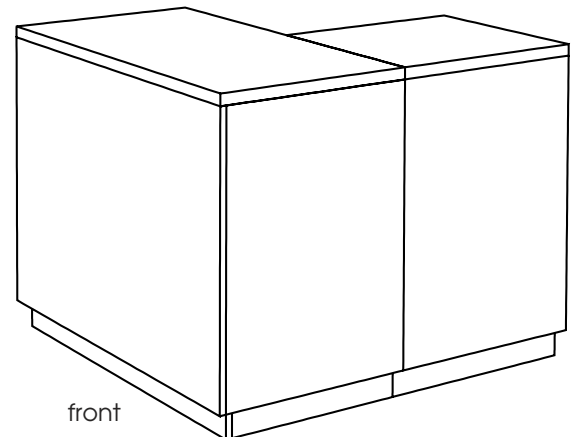
front

square corner

#X*S-0401



back



front