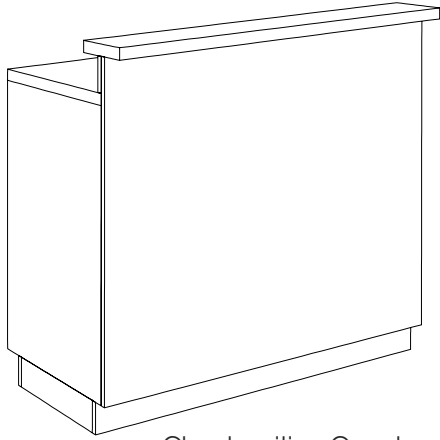
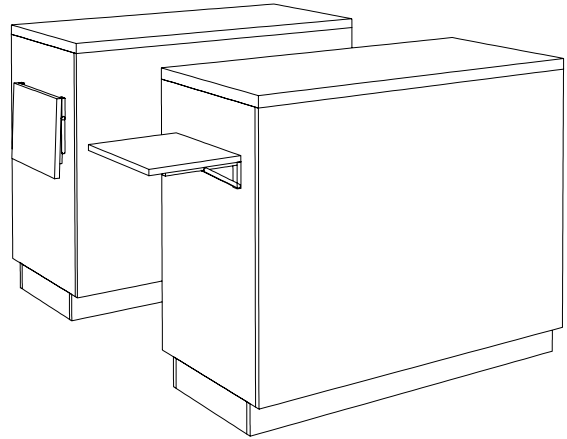


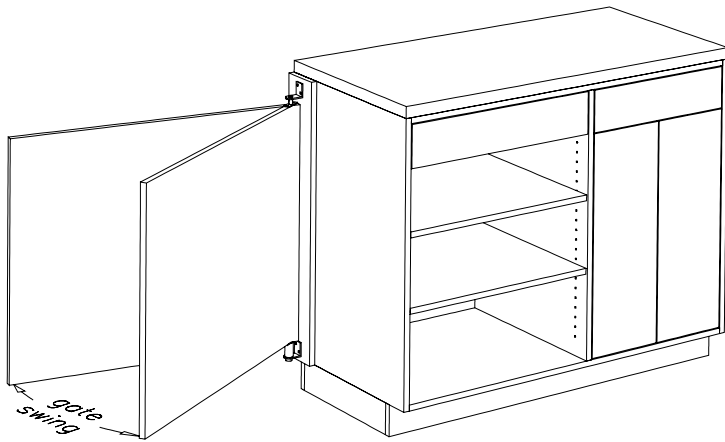
Cash Wrap Options & Add-ons



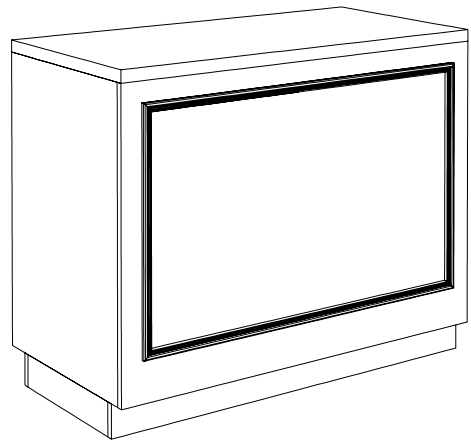
Check-writing Counter



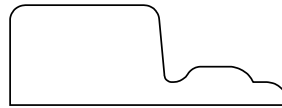
34" High flip-up ADA Shelf Counter



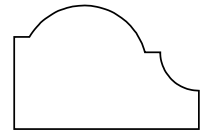
Free-swinging double-action Privacy Swing Gate
Optional Locking Gate



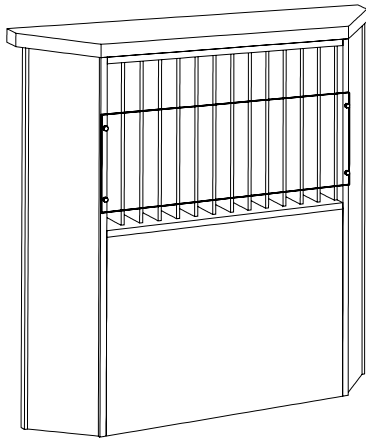
Decorative Applique Moulding



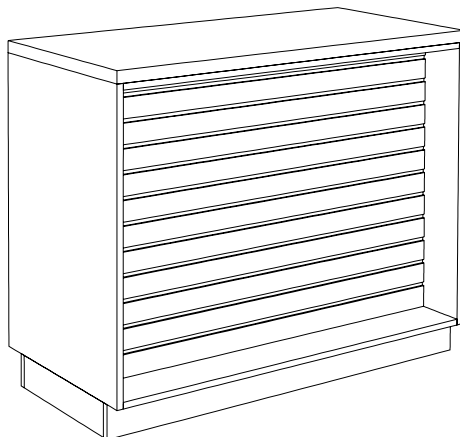
Decorative Moulding A



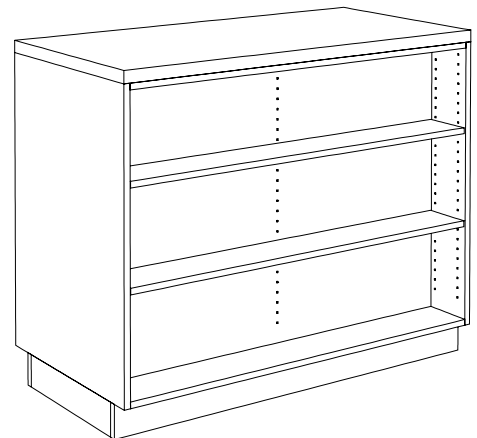
Decorative Moulding B



Golf Ball Dispenser
photo page 202



6" D Recessed Slatwall Display Front



6" D Recessed Adjustable Shelves Display Front