

# N\*T Elite Kids 4-Way Assembly Instructions

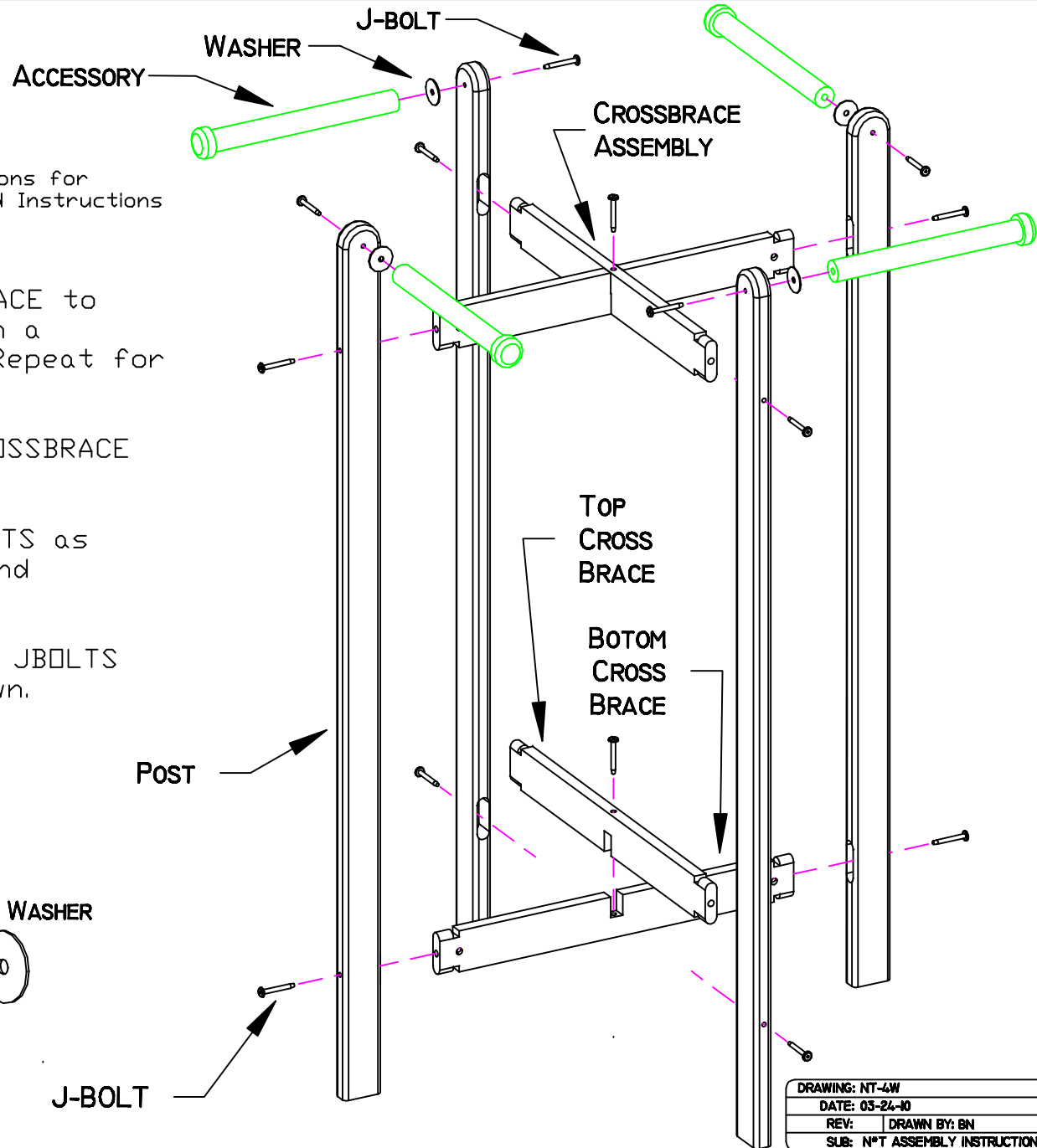
Please refer to "Assembly Instructions for Accessories and Things" for Detailed Instructions

1.) Attach the TOP CROSSBRACE to the BOTTOM CROSSBRACE with a J-BOLT through the top. Repeat for second pair.

2.) Attach (4) POSTS to CROSSBRACE ASSEMBLY using J-BOLTS

3.) Attach accessory FACEOUTS as shown with LARGE WASHER and J-BOLT.

4.) Install ACCESSORIES using JBOLTS and LARGE WASHERS as shown.

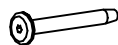


## HARDWARE

ALLEN WRENCH



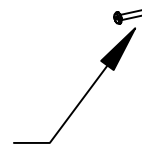
J-BOLT



LARGE WASHER



J-BOLT



DRAWING: NT-4W	
DATE: 03-24-10	
REV:	DRAWN BY: BN
SUB: N*T ASSEMBLY INSTRUCTIONS	