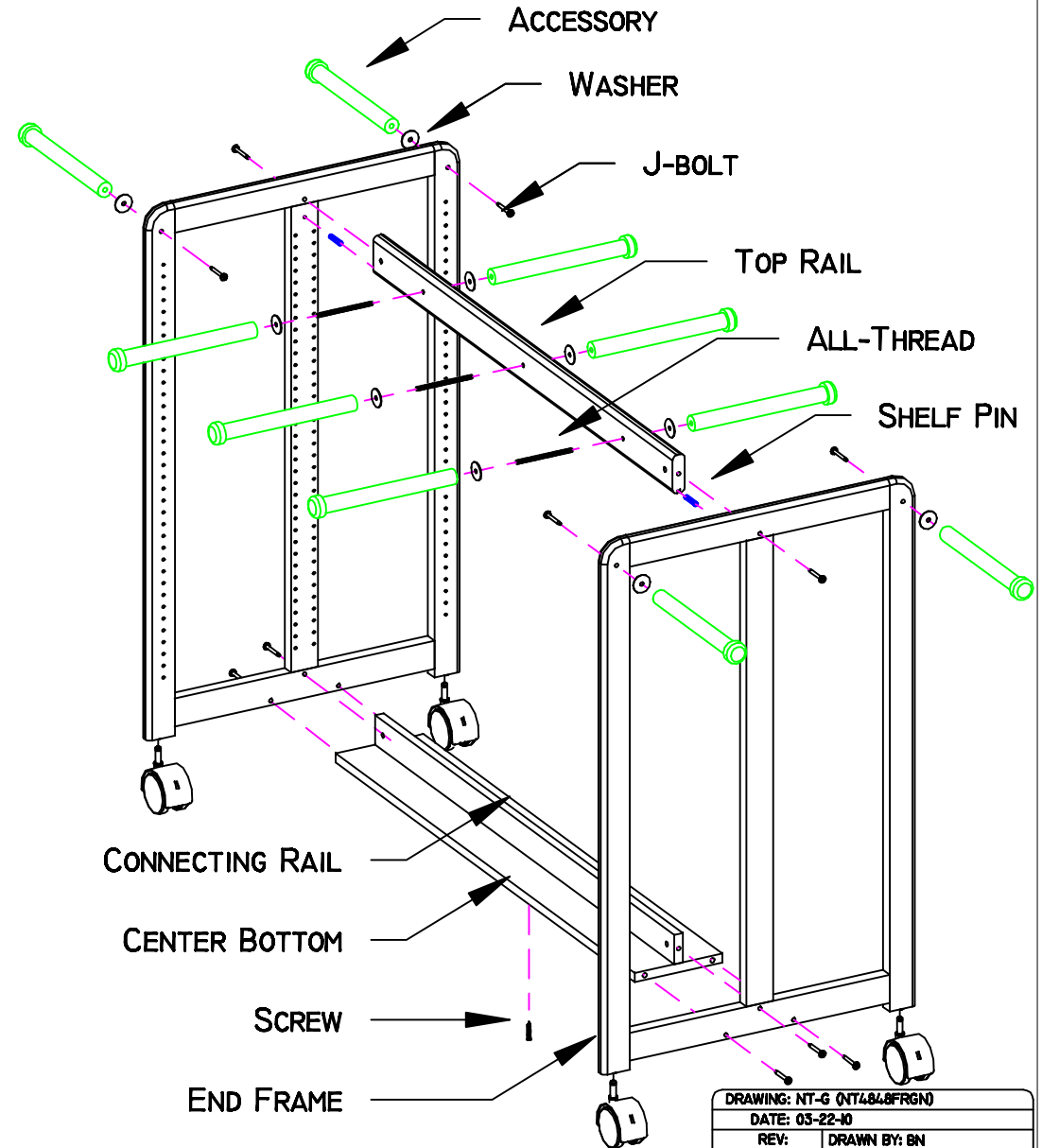


N*T Elite Kids Apparel Gondola Assembly Instructions

Please refer to "Assembly Instructions for Accessories and Things" for Detailed Instructions

- 1.) Attach the CENTER BOTTOM and CONNECTING RAIL to one of the END FRAMES.
- 2.) Attach the other END FRAME.
- 3.) Attach the TOP RAIL using 2" J-Bolts each side with 7/32" pins immediately below.
- 4.) Tip the unit on it's side and install the 3" casters.
- 5.) Secure the CENTER BOTTOM to the CONNECTING RAIL with the 1-5/8" Screw.
- 6.) Install ACCESORIES using 2" J-bolts or 5" All-Thread.



HARDWARE

ALLEN WRENCH



J-BOLT



WASHER



ALL-THREAD



SCREW



SHELF PIN



| | |
|--------------------------------|--------------|
| DRAWING: NT-G (NT4&6FRGN) | |
| DATE: 03-22-10 | |
| REV: | DRAWN BY: BN |
| SUB: N*T ASSEMBLY INSTRUCTIONS | |