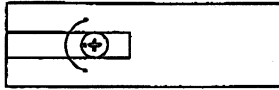
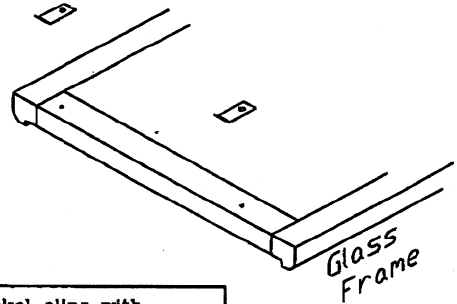


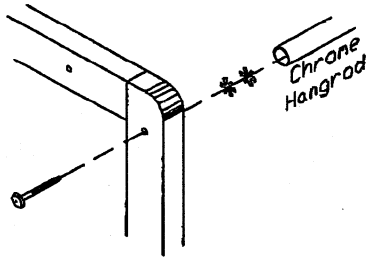
# Assembly Instructions For ACCESSORIES AND THINGS



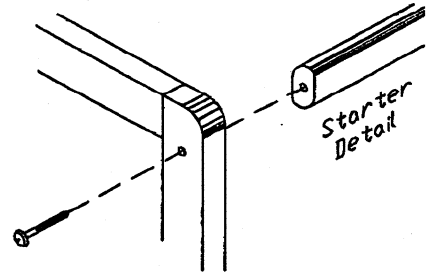
With a phillips screwdriver, rotate cross dowel appropriately to accommodate J-Bolt. Arrow at top of cross dowel should point directly to the J-Bolt.



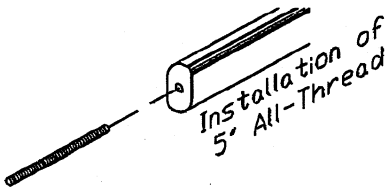
Install nickel clips with 1/2" pan head screws into pilot holes on bottom.



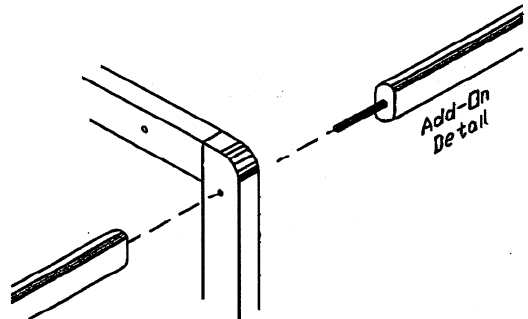
Insert (2) helix washers, approximately 1" apart, with 2-3/4" J-Bolt.



Insert 2-3/4" J-Bolt into both ends for starter.



Insert 5" All-Thread into cross dowel until it bottoms out.



Rotate connecting rail around extruding All-Thread.